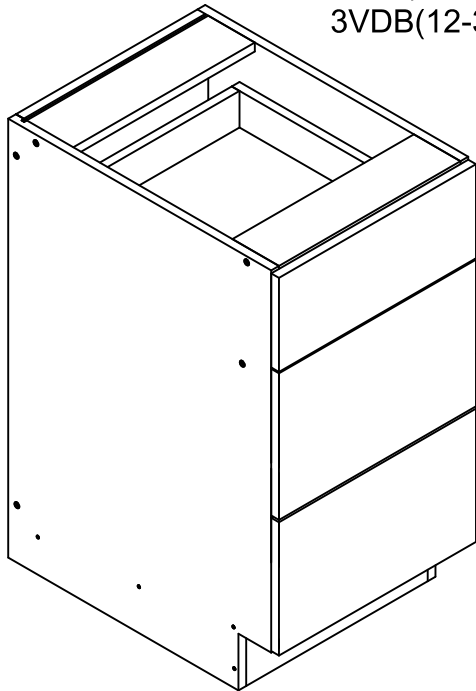


# BASE CABINET ASSEMBLY INSTRUCTION

3DB(12-36)  
3VDB(12-36)



## Assembly instructions

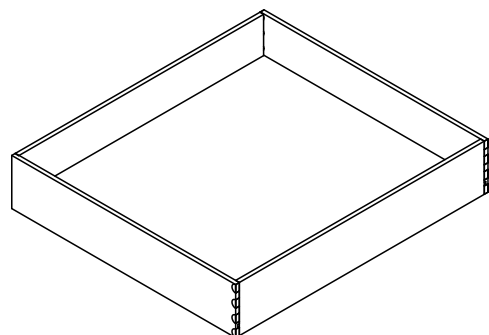
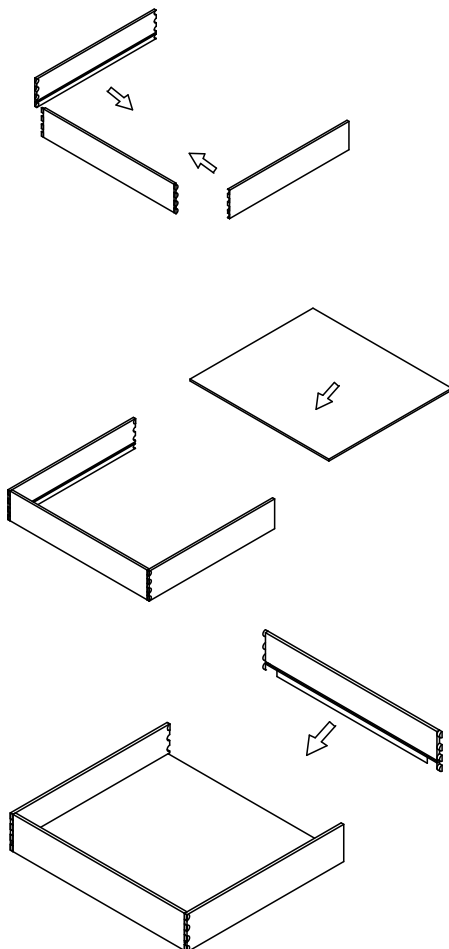
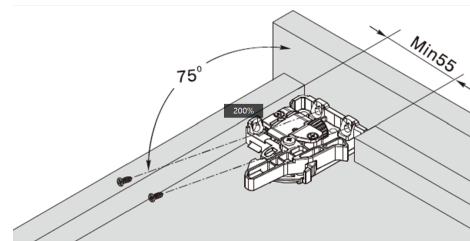
Carefully read the Instructions before starting the installation.

During assembly, please follow all generally accepted safety procedures.

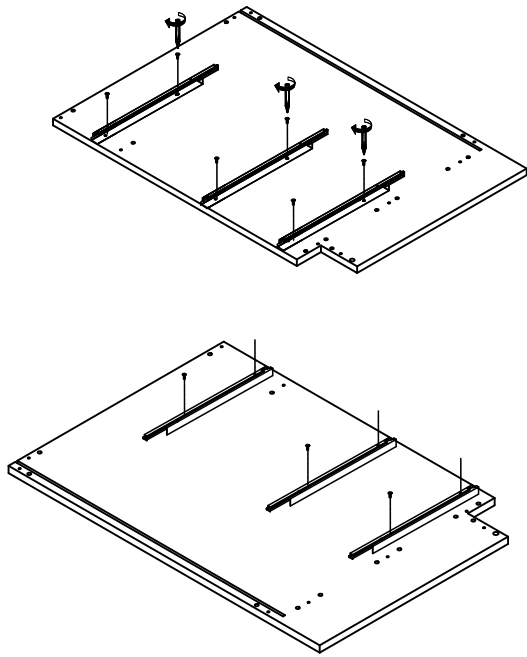
If you are missing any part, please stop and contact us immediately at

Hardware Fitting		
Slide rail		3SET
Slide rail Screws	6*11	12PCS
Drawer face Screws	4*25	12PCS
Bumper		12PCS
Cabinet Screws	7*50	18PCS

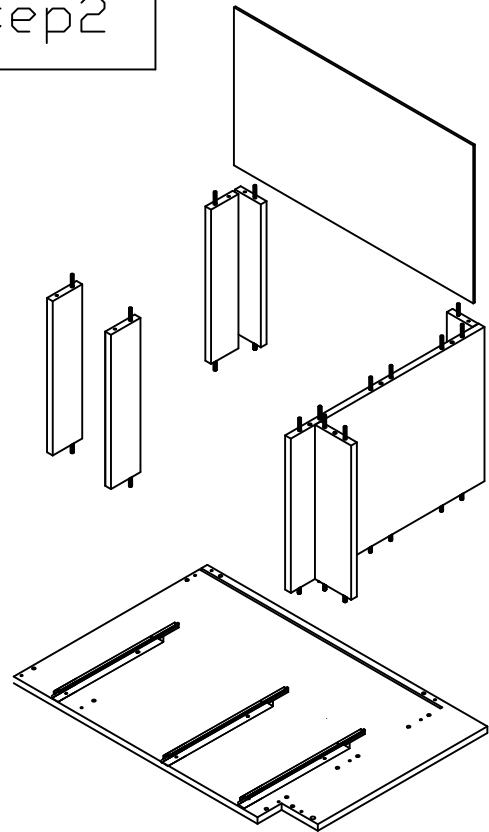
Left Side Panel	1PC
Right Side Panel	1PC
Bottom Panel	1PC
Back Panel	1PC
Support Rail	5PC
Toe Kick	1PC
Drawer Side	6PCS
Drawer Box Front	3PC
Drawer Box Back	3PC
Drawer Box Bottom	3PC



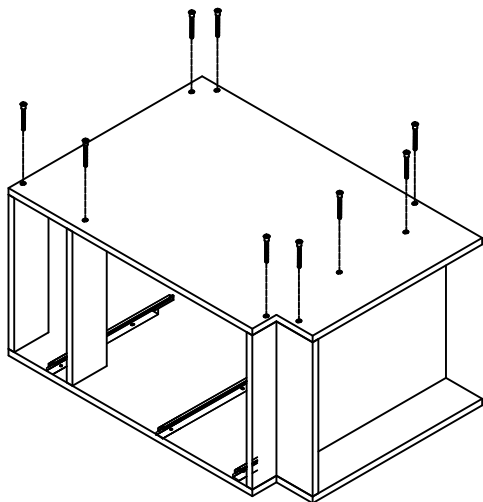
Step1



Step2



Step3



The other side plate is also assembled in this way

Step4

