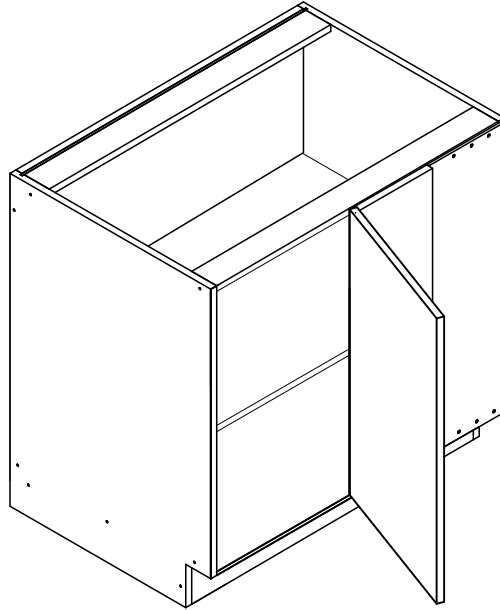


# BASE CABINET ASSEMBLY INSTRUCTION

BBC<BLB>36-42FD
BBC<BLB>42-45FD








## Assembly instructions

**Carefully read the Instructions before starting the installation.**

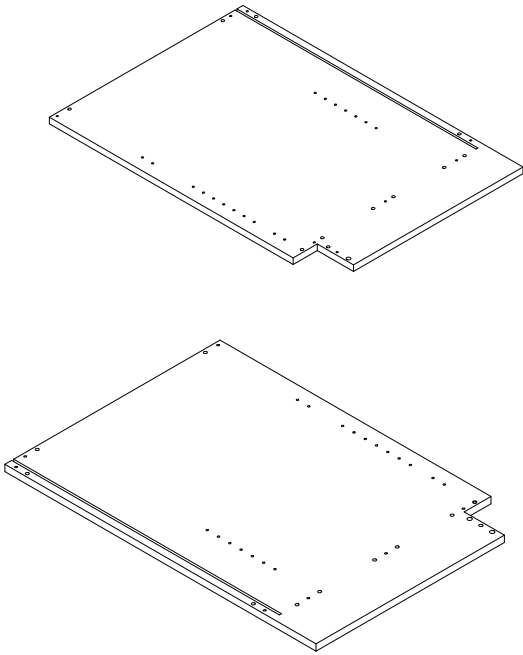
**During assembly, please follow all generally accepted safety procedures.**

**If you are missing any part, please stop and contact us immediately at**

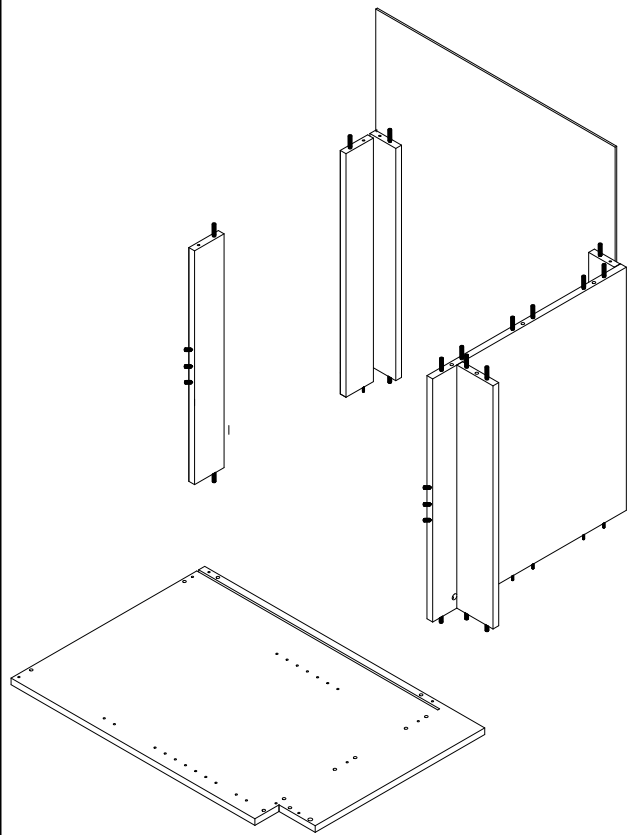
Hardware Fitting		
Hinge		2PCS
Shelf Support		4PCS
Bumper		4PCS
Cabinet Screws	 7*50	16PCS
Screws for hinges and baffles	 4*16	18PCS

Left Side Panel	1PC
Right Side Panel	1PC
Bottom Panel	1PC
Back Panel	1PC
Support Rail	4PC
Toe Kick	1PC
Removable Shelf	1PC
Blind baffle 2	1PC

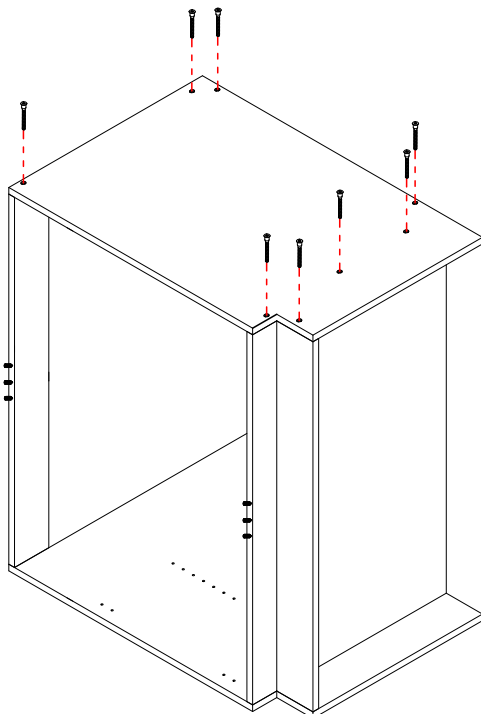
Step1



Step2

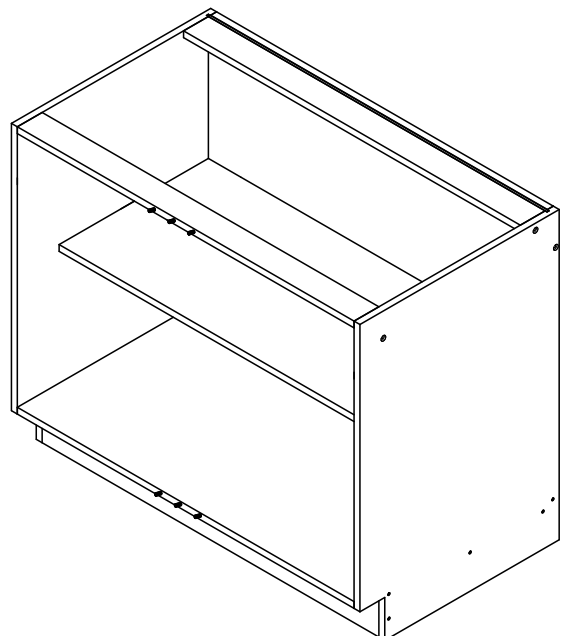


Step3



The other side plate is also assembled in this way

Step4



Step 5

