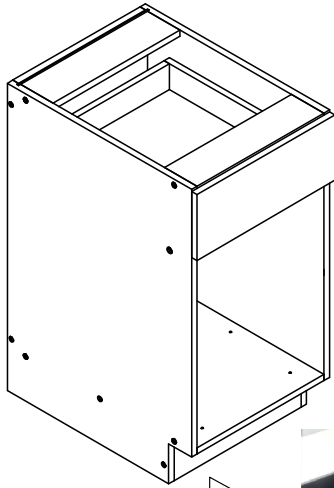


BASE CABINET ASSEMBLY INSTRUCTION

BTC18



trash



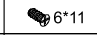

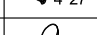

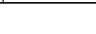


Assembly instructions

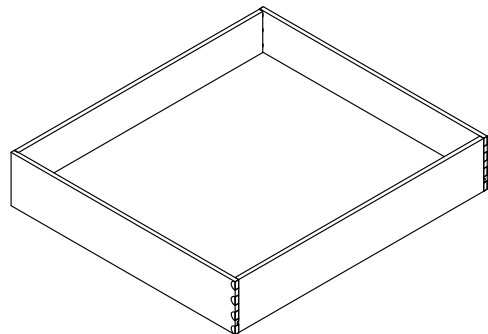
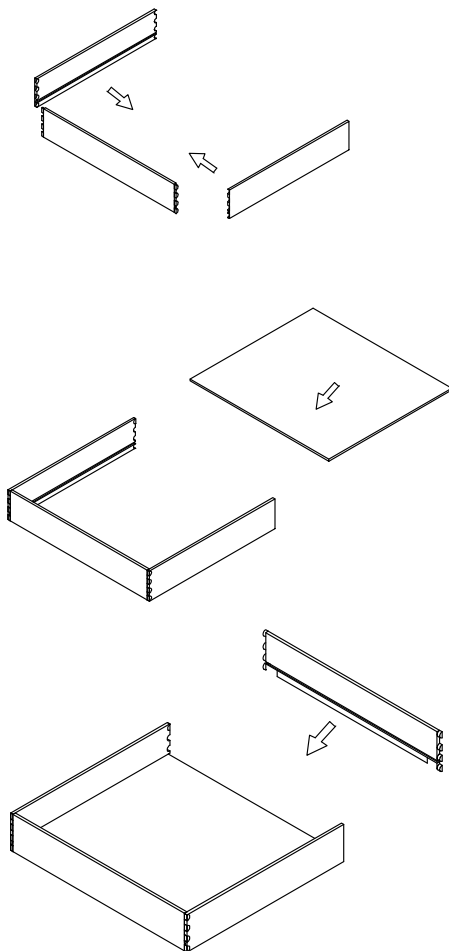
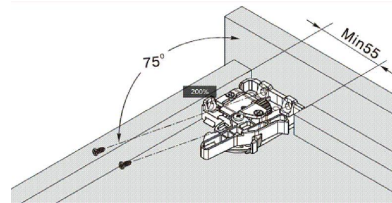
Carefully read the Instructions before starting the installation.

During assembly, please follow all generally accepted safety procedures.

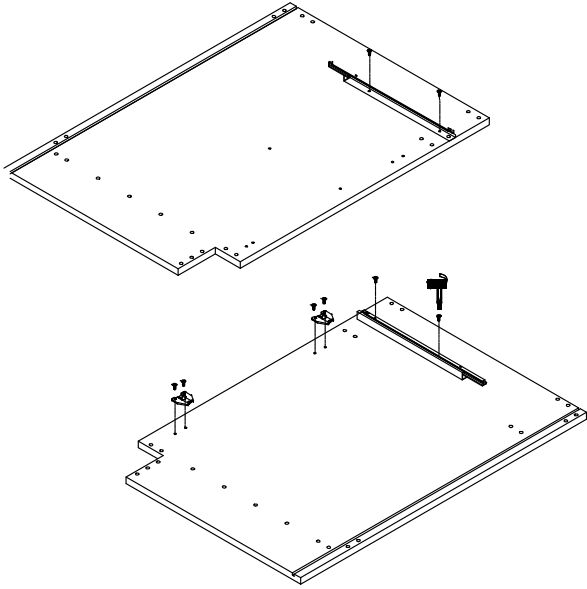
If you are missing any part, please stop and contact us immediately at

Hardware Fitting		
Trash can		1SET
Slide rail		1SET
Slide rail Screws	 6*11	4PCS
Screws for hinge	 4*16	8PCS
Drawer face Screws	 4*27	4PCS
Bumper		8PCS
Cabinet Screws	 7*50	18PCS

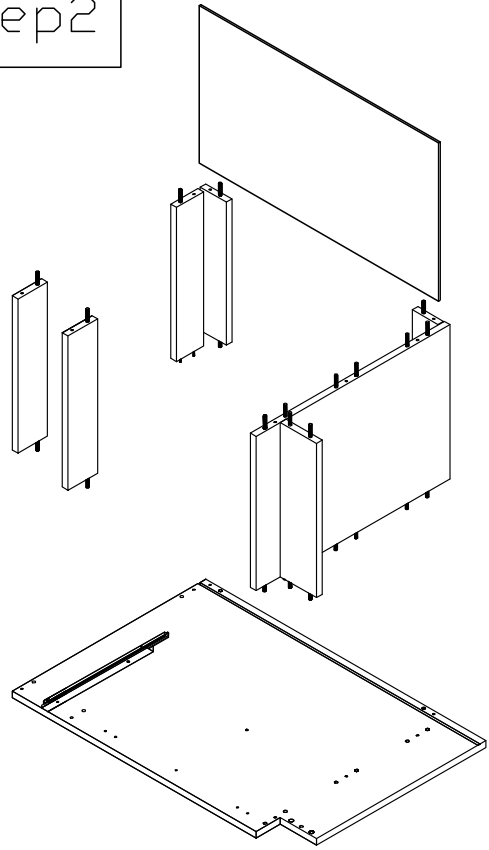
Left Side Panel	1PC
Right Side Panel	1PC
Bottom Panel	1PC
Back Panel	1PC
Support Rail	5PC
Toe Kick	1PC
Drawer Side	2PC
Drawer Box Front	1PC
Drawer Box Back	1PC
Drawer Box Bottom	1PC



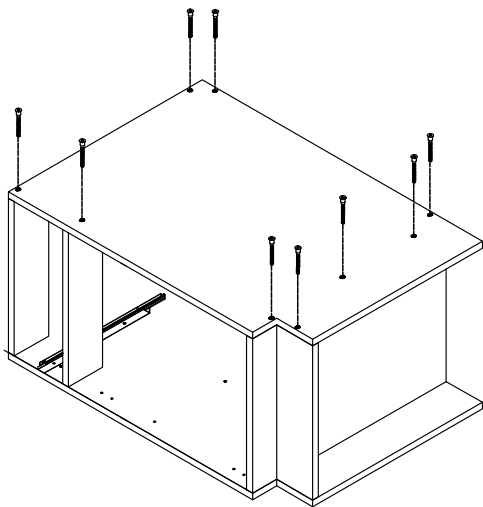
Step1



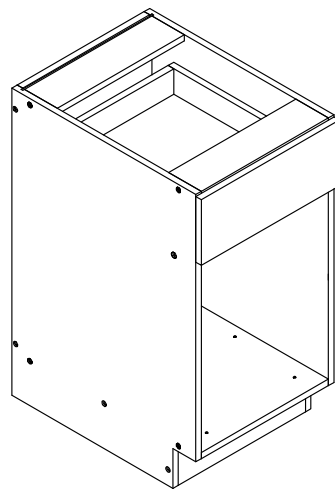
Step2



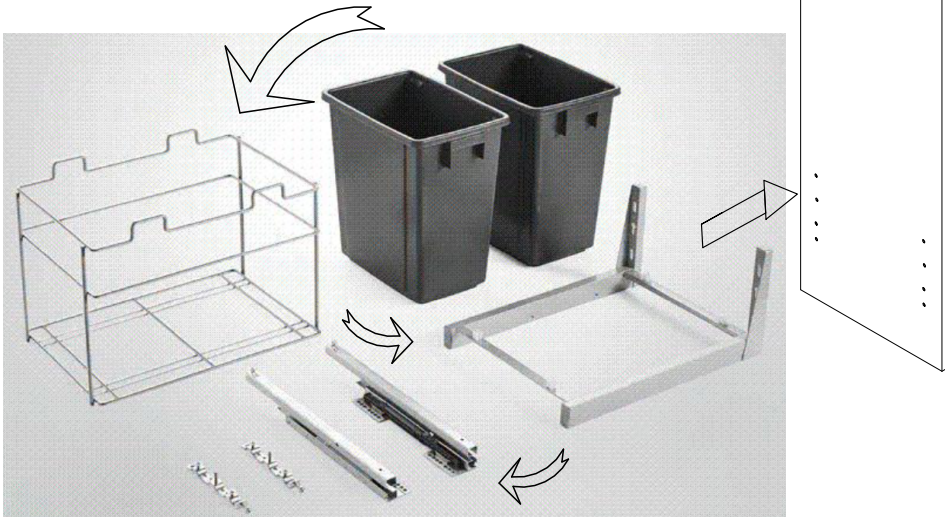
Step3



Step4



Step5



Step6

