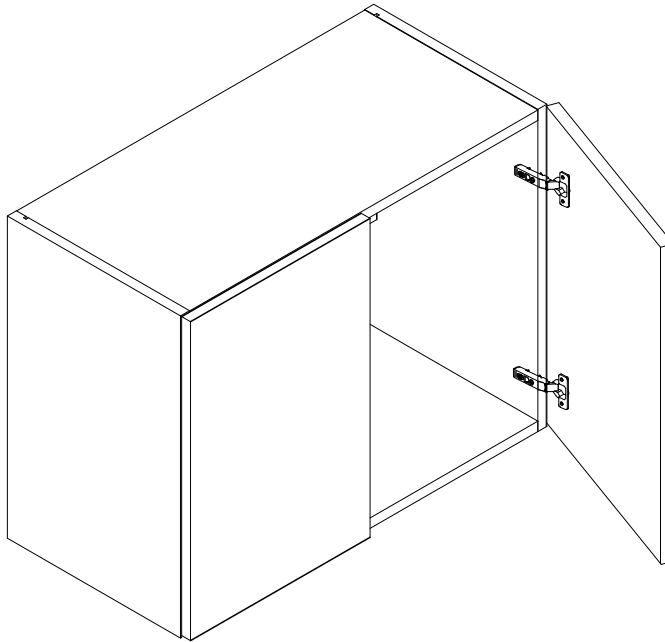


WALL CABINET ASSEMBLY INSTRUCTION

W3012
W3612
W2415
W3015
W3615
W3018
W3618
W3021
W3621

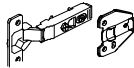





Assembly instructions

Carefully read the Instructions before starting the installation.

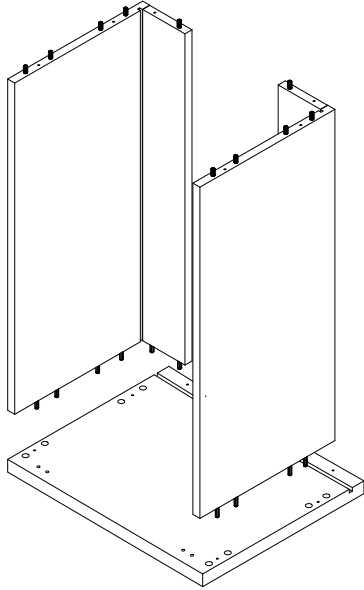
During assembly, please follow all generally accepted safety procedures.

If you are missing any part, please stop and contact us immediately at

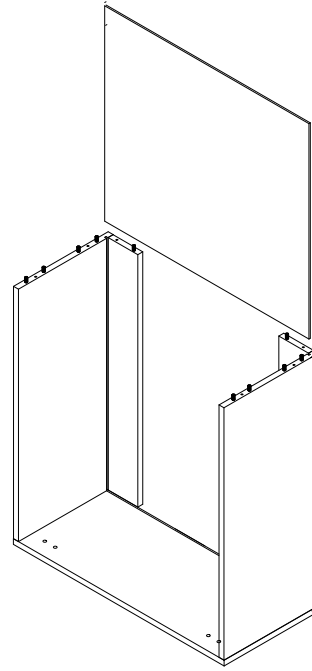
Hardware Fitting		
Hinge		4PCS
Screws for hinge	 4*16	24PCS
Bumper		4PCS
Cabinet Screws	 7*50	12PCS

Left Side Panel	1PC
Right Side Panel	1PC
Bottom Panel	1PC
Back Panel	1PC
Support Rail	2set
Top Panel	1PC

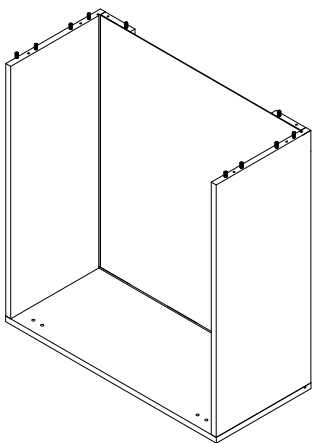
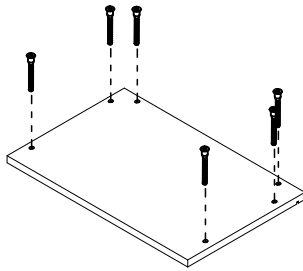
Step1



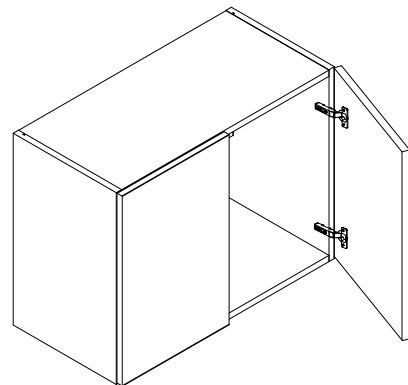
Step2



Step3



Step4



The other side plate is also assembled in this way