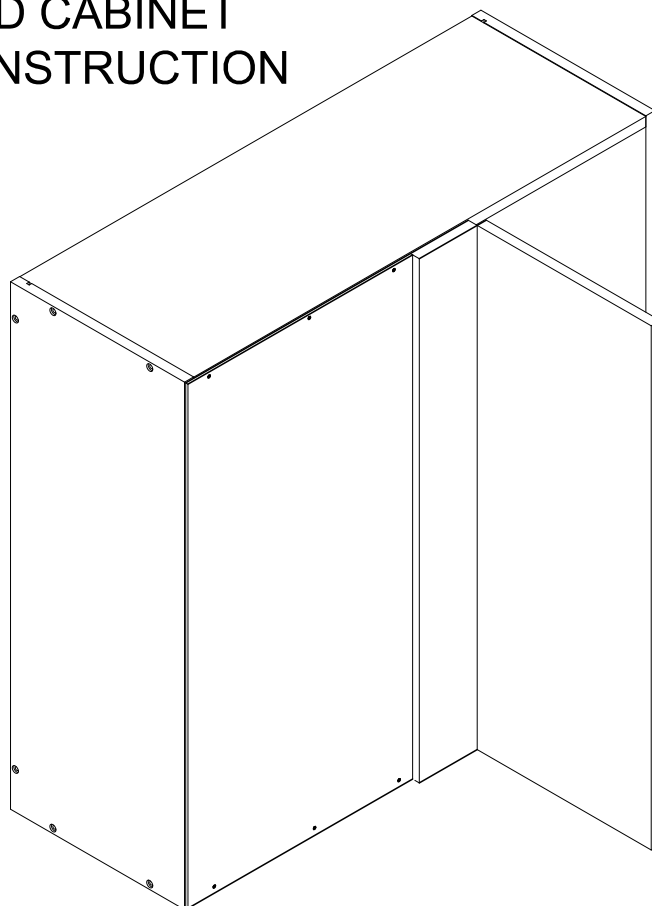


WALL BLIND CABINET ASSEMBLY INSTRUCTION

WBC2730








Assembly instructions

Carefully read the Instructions before starting the installation.

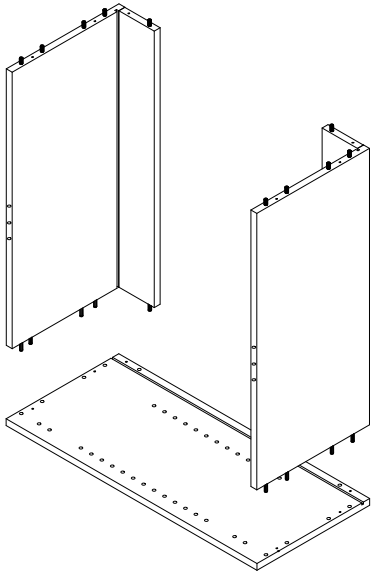
During assembly, please follow all generally accepted safety procedures.

If you are missing any part, please stop and contact us immediately at

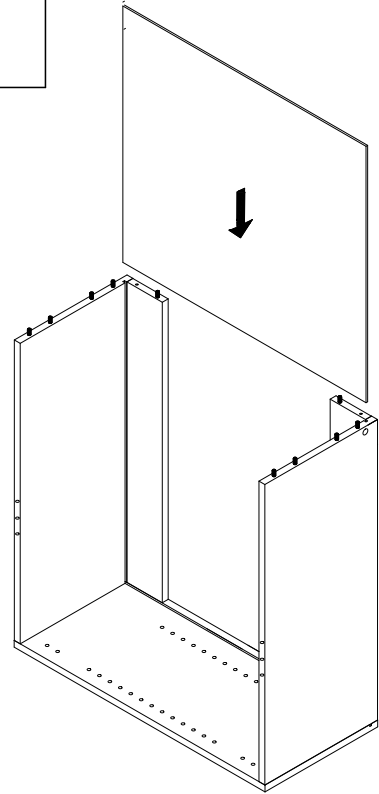
| Hardware Fitting | | |
|------------------|--|-------|
| Hinge |  | 2PCS |
| Shelf Support |  | 8PCS |
| Bumper |  | 6PCS |
| Cabinet Screws |  7*50 | 12PCS |
| Screws for hinge |  4*16 | 18PCS |

| | |
|------------------|------|
| Left Side Panel | 1PC |
| Right Side Panel | 1PC |
| Bottom Panel | 1PC |
| Back Panel | 1PC |
| Support Rail | 2PCS |
| Top Panel | 1PC |
| Removable Shelf | 1PC |
| Blind baffle 2 | 1PC |

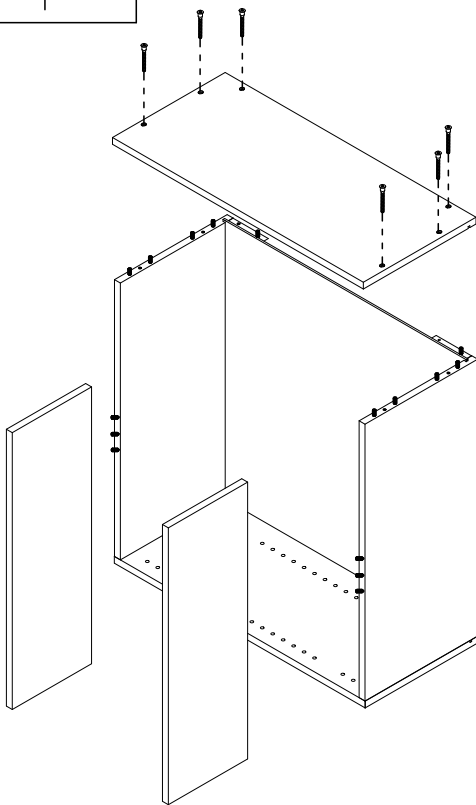
Step1



Step2

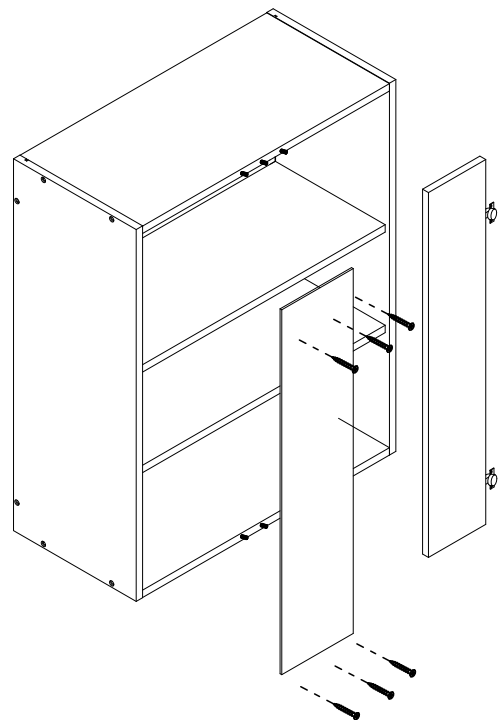


Step3



The other side plate is also assembled in this way

Step4



Step5

