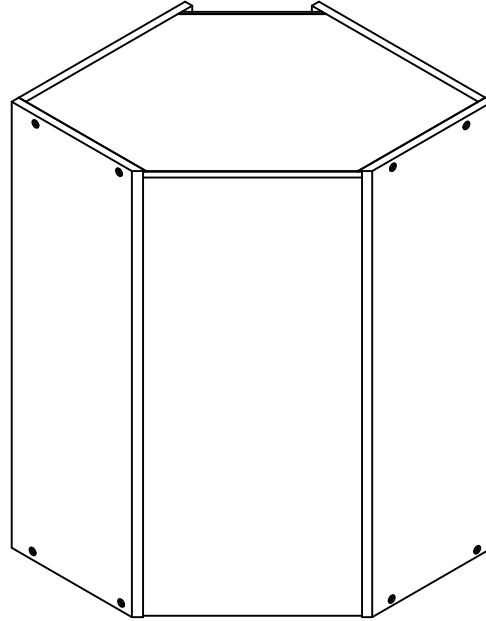


# WALL DIAGONAL CABINET ASSEMBLY INSTRUCTION

WDC2442  
WDC2742

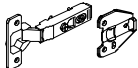






## Assembly instructions

**Carefully read the Instructions before starting the installation.**

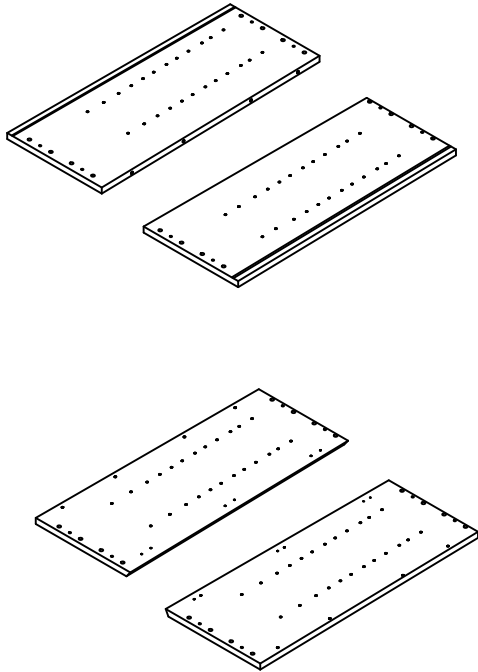
**During assembly, please follow all generally accepted safety procedures.**

**If you are missing any part, please stop and contact us immediately at**

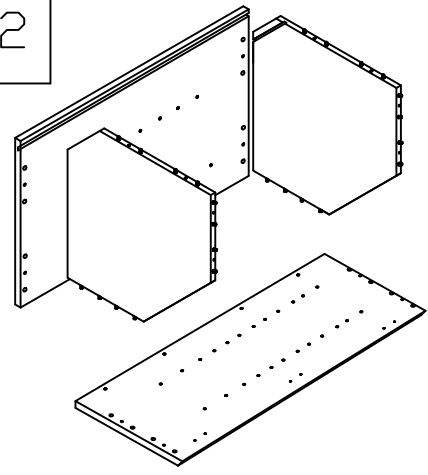
Hardware Fitting		
Hinge		3PCS
Shelf Support		12PCS
Bumper		2PCS
Cabinet Screws	 7*50	16PCS
Screws for hinge	 4*16	18PCS

Left Front Side Panel	1PC
Right Front Side Panel	1PC
Left Back Side Panel	1PC
Right Back Side Panel	1PC
Bottom Panel	1PC
Back Panel	1PC
Top panel	1PC
Removable Shelf	3PCS

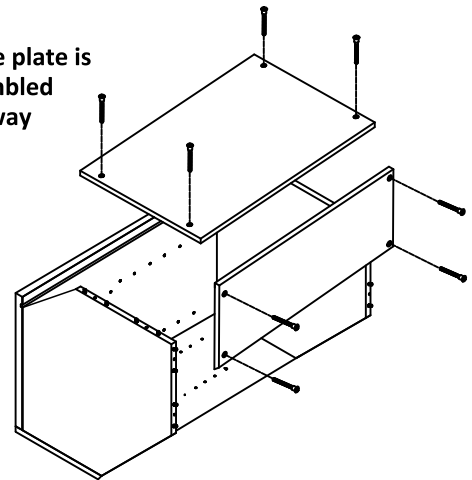
Step1



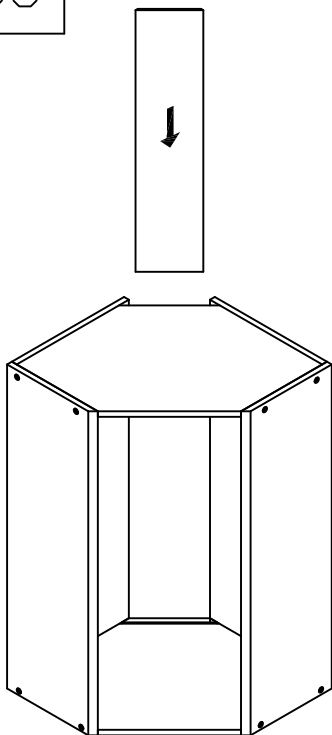
Step2



The other side plate is also assembled in this way



Step3



Step4

