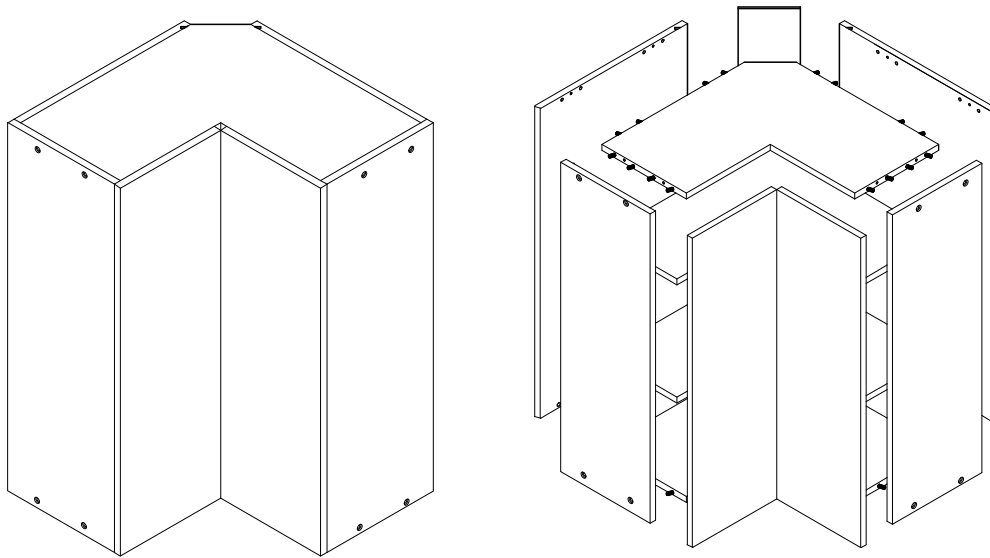


WALL CABINET ASSEMBLY INSTRUCTION

WER2430
WER2436









Assembly instructions

Carefully read the Instructions before starting the installation.

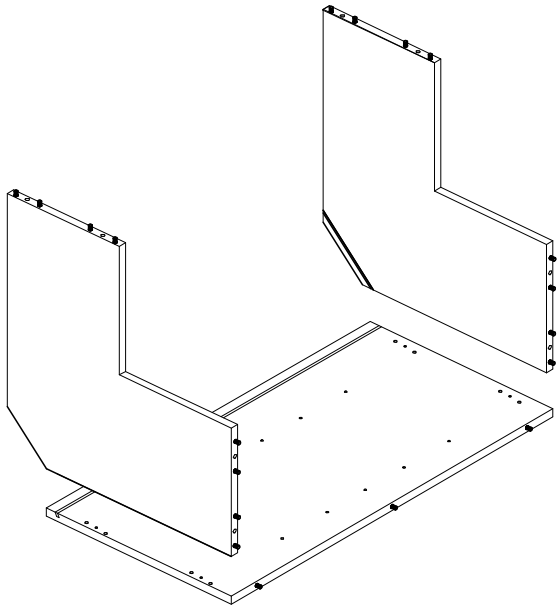
During assembly, please follow all generally accepted safety procedures.

If you are missing any part, please stop and contact us immediately at

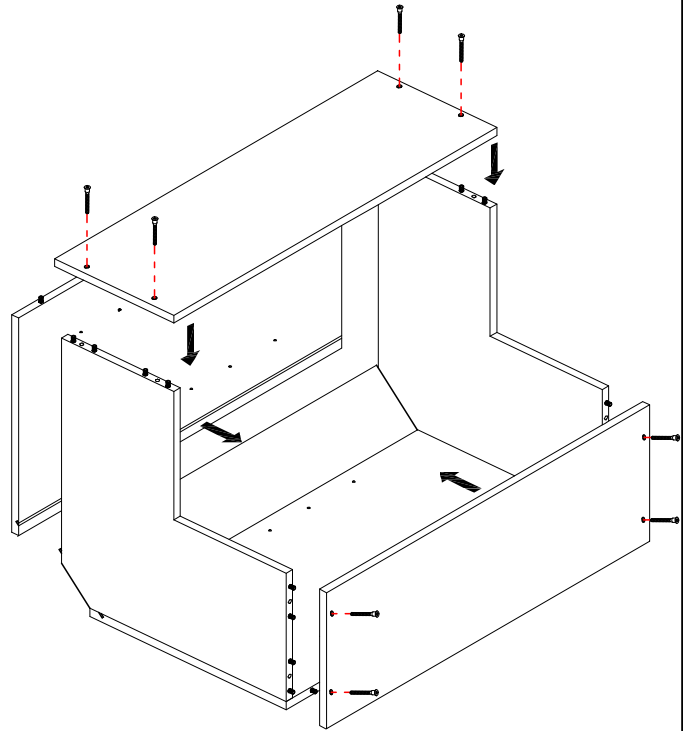
Hardware Fitting		
Hinge		2PCS
		2PCS
Shelf Support		16PCS
Screws for hinge	 4*16	24PCS
Bumper		4PCS
Cabinet Screws	 7*50	16PCS

Back Panel	1PC
Bottom Panel	1PC
Left Back Side Panel	1PC
Left Front Side Panel	1PC
Removable Panel	2PC
Right Back Side Panel	1PC
Right Front Side Panel	1PC
Top Panel	1PC

Step1

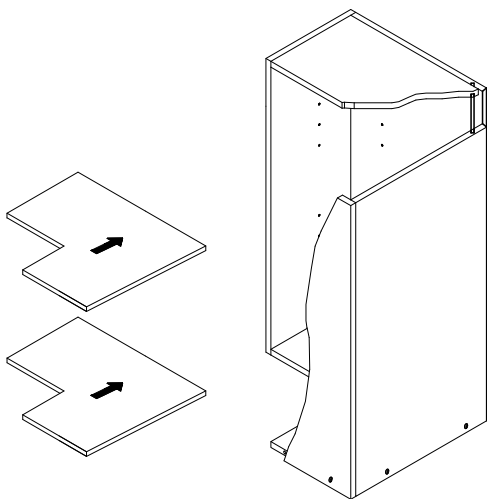


Step2

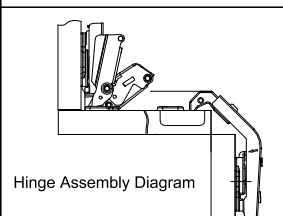
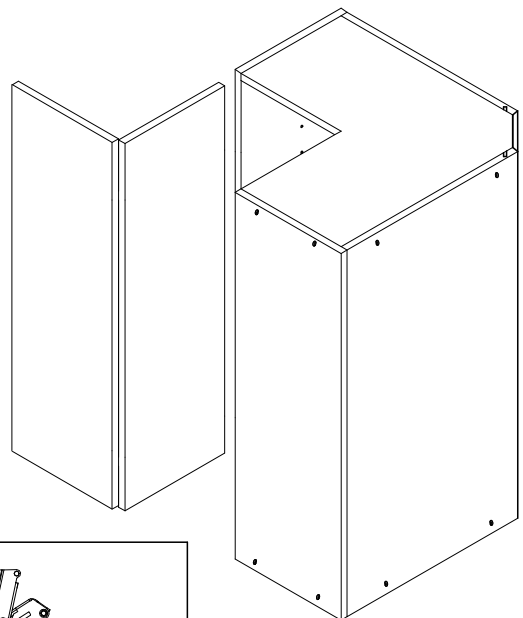


The other side plate is also assembled in this way

Step3



Step4



Hinge Assembly Diagram