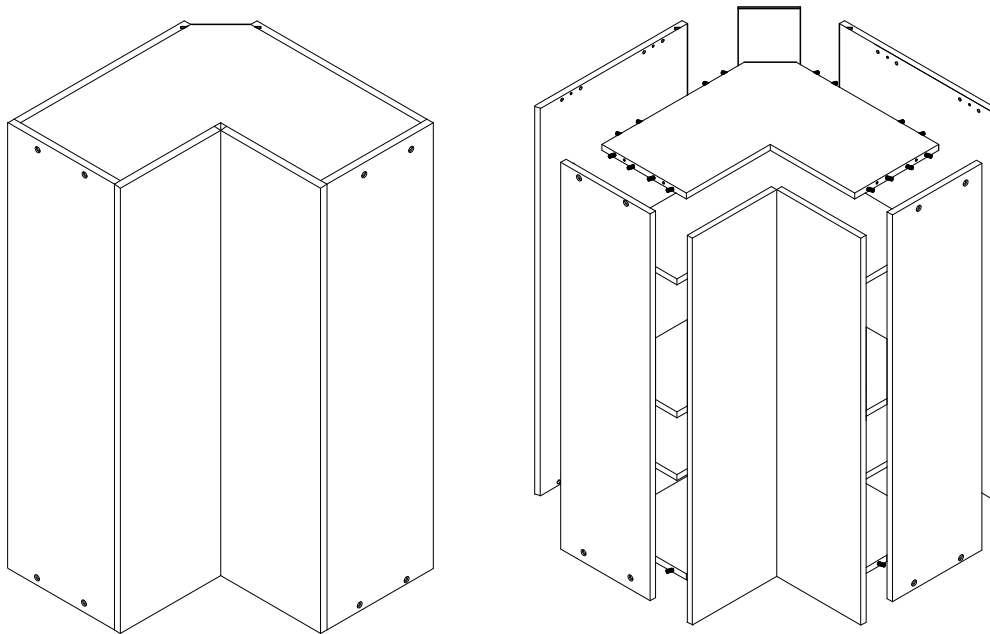


# WALL CABINET ASSEMBLY INSTRUCTION

WER2442









## Assembly instructions

**Carefully read the Instructions before starting the installation.**

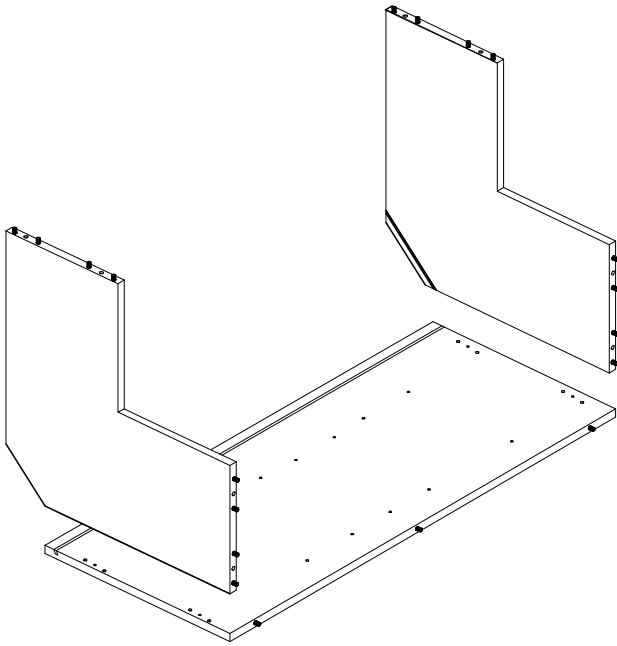
**During assembly, please follow all generally accepted safety procedures.**

**If you are missing any part, please stop and contact us immediately at**

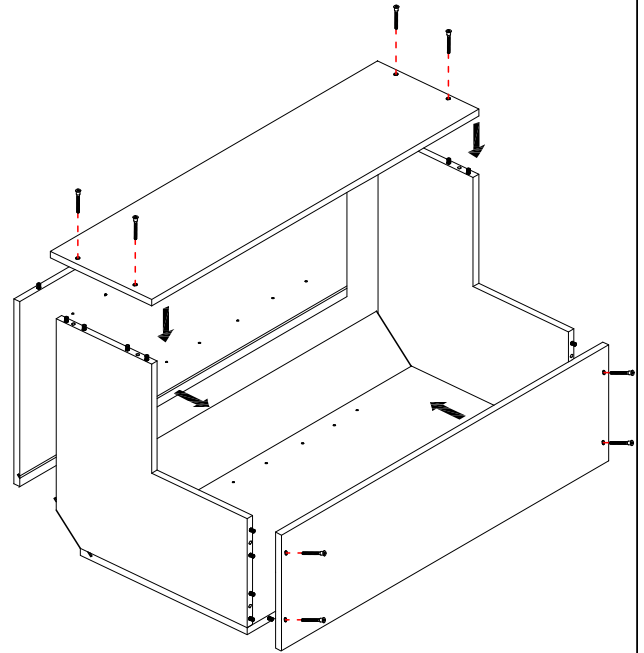
Hardware Fitting		
Hinge		3PCS
		3PCS
Shelf Support		24PCS
Screws for hinge	 4*16	36PCS
Bumper		4PCS
Cabinet Screws	 7*50	16PCS

Back Panel	1PC
Bottom Panel	1PC
Left Back Side Panel	1PC
Left Front Side Panel	1PC
Removable Panel	3PC
Right Back Side Panel	1PC
Right Front Side Panel	1PC
Top Panel	1PC

### Step1

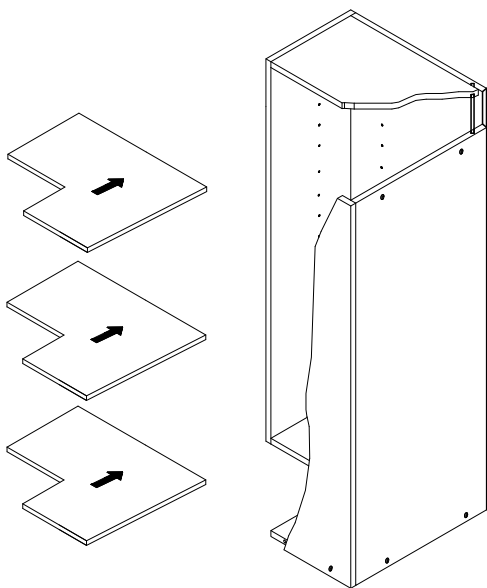


### Step2

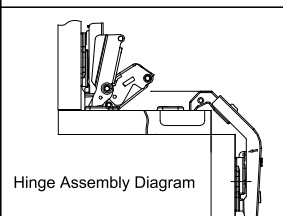
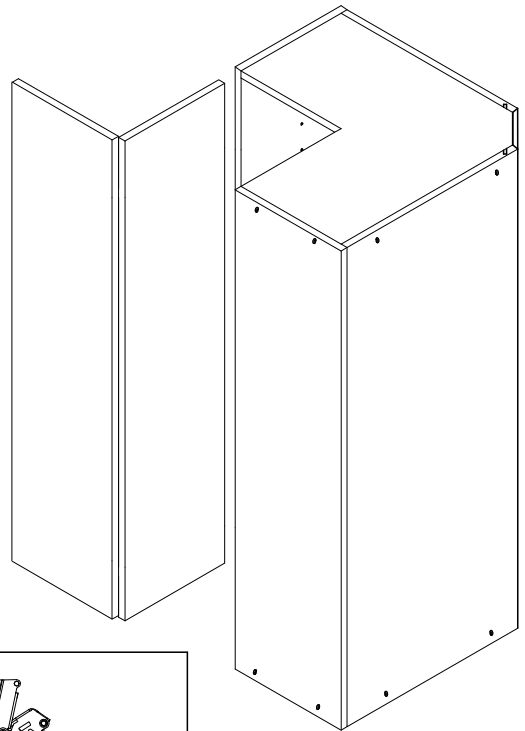


The other side plate is also assembled in this way

### Step3



### Step4



Hinge Assembly Diagram